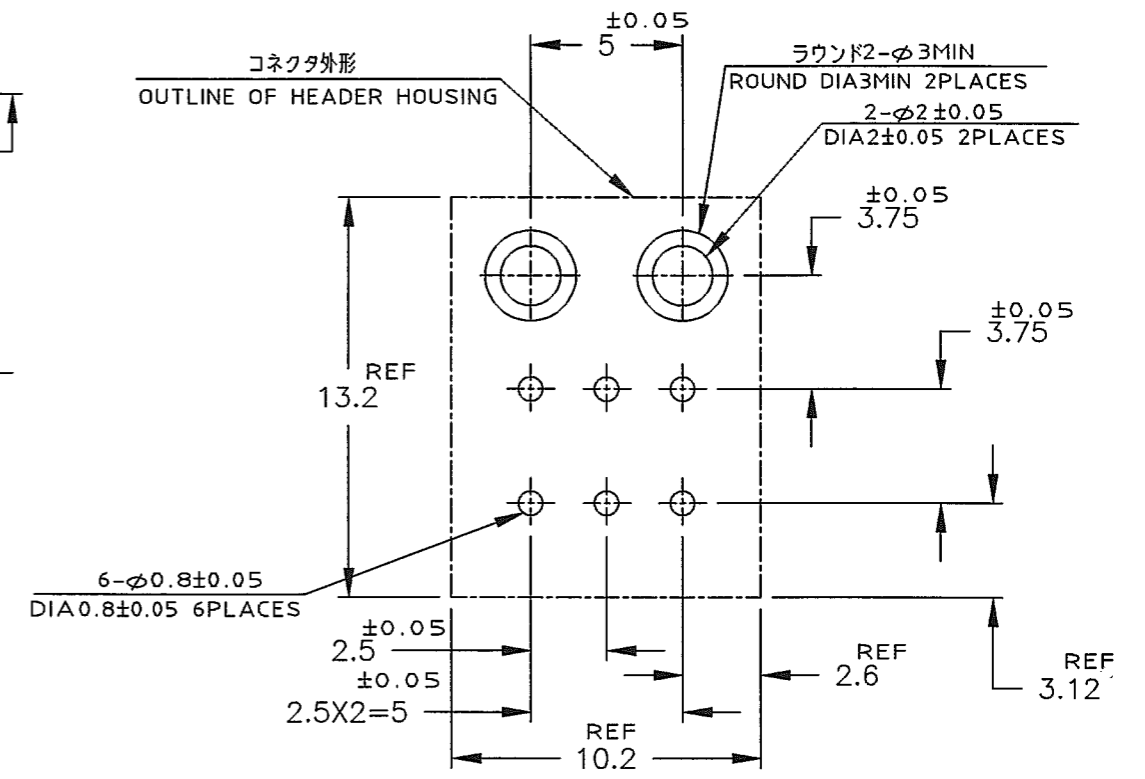
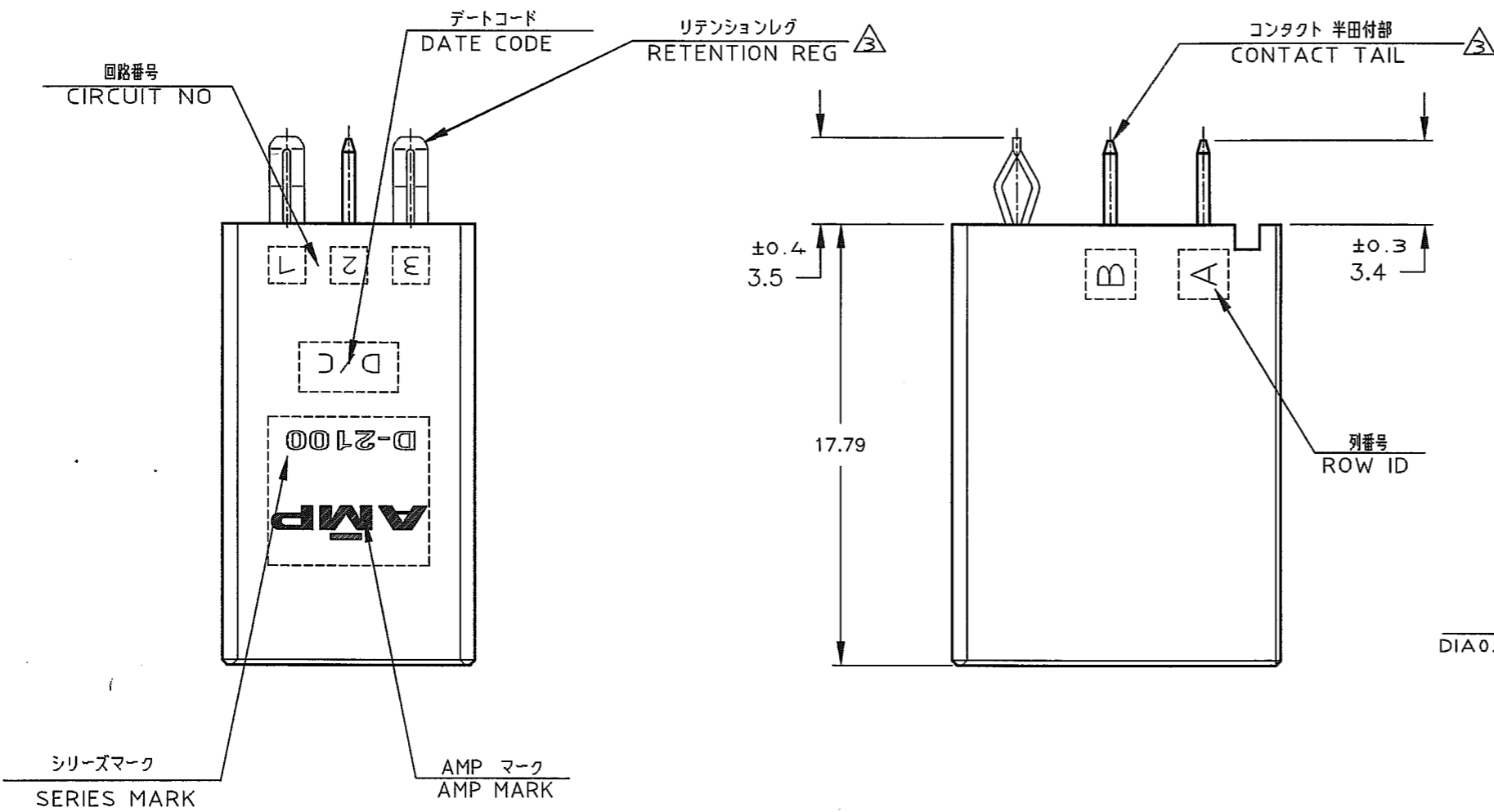


THIS DRAWING IS UNPUBLISHED. RELEASED FOR PUBLICATION ,1998
 © COPYRIGHT 1998 BY AMP INCORPORATED, ALL RIGHTS RESERVED.

LOC		DIST		REVISIONS				
P	LTR	DESCRIPTION	ECN	DATE	DWN	APVD		
	0	RELEASED	FJ00-1421-98	7/DEC/98	K.I.H			
	A	REVISED	FJ00-1080-00	21SEP'00	Y.K	S.M		
	B	REVISED	FJD0-0039-03	6/103	T.S	S.M		

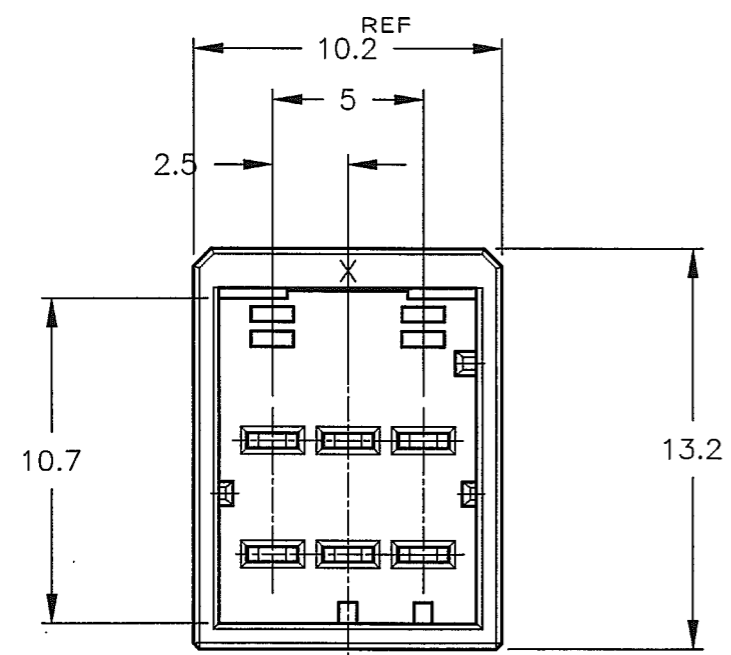


推奨基板取付け寸法 (公差: ±0.05)
 PC 基板厚: 1.6 ± 0.3
 (コネクタ搭載面)

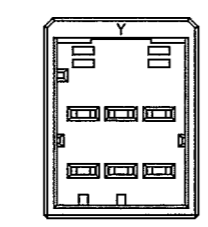
RECOMENDED PC BOARD HOLE PATTERN (TOL: ±0.05)
 PC BOARD THICKNESS: 1.6 ± 0.3
 (CONNECTOR MOUNT SIDE)

- NOTES
- MATERIAL: HOUSING: GLASS FILED THERMO PLASTIC, POLYESTER (94V-0), COLOR: BLACK
 TAB CONTACT: COPPER ALLOY
 RETENTION LEG: BRASS
 - FINISH (CONTACT AREA): 0.38 μm MIN GOLD PLATING OVER NI PLATING
 - FINISH (RETENTION LEG): TIN PLATED (CONTACT TAIL) OVER NICKEL

- 注記
- 材料: ハウジング: ガラス入り熱可塑性ポリエステル樹脂 (94V-0), 色: 黒
 タブ コンタクト: 銅合金
 リテンション レグ: 黄銅
 - めっき: コンタクト: 全面Ni下地
 接触部: 0.38 μm MIN金めっき
 - めっき: リテンションレグとコンタクト半田付部
 : ニッケル下地の上にスズめっき



1318124-1
 (KEYING X)



1318124-2
 (KEYING Y)
 SCALE: 2-1

THIS DRAWING IS A CONTROLLED DOCUMENT FOR AMP INCORPORATED. IT IS SUBJECT TO CHANGE AND THE CONTROLLING ENGINEERING ORGANIZATION SHOULD BE CONTACTED FOR THE LATEST REVISION.		DWN K. IKEDA 7/DEC/98	tyco Electronics		Tyco Electronics AMP K.K. Kawasaki, Japan	
DIMENSIONS: 単位: mm		CHK N. MATSUBARA 7/DEC/98	NAME 2列 ヘッダーアセンブリー 6P (垂直タイプ) DOUBLE ROW HEADER ASS'Y 6P ("V" TYPE) <DYNAMIC D-2100D>			
TOLERANCES UNLESS OTHERWISE SPECIFIED 一般公差 10% ±0.3 30% >10 ±0.35 10% >30 ±0.4 ANGLE: ±3'		APVD I. HASEGAWA 7/DEC/98	PRODUCT SPEC 108-5619 APPLICATION SPEC 114-5258			
MATERIAL 注記参照 SEE NOTES		WEIGHT T1		SIZE A3	CAGE CODE 00779	DRAWING NO C-1318124
FINISH 注記参照 SEE NOTES		CUSTOMER DRAWING		RESTRICTED TO -		SCALE 4-1
				SHEET 1 OF 1		REV B